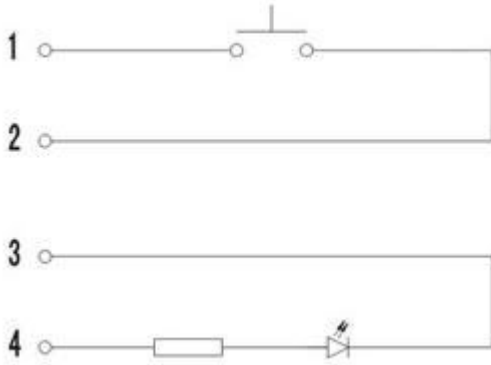


## AK26 Series Elevator Push Buttons

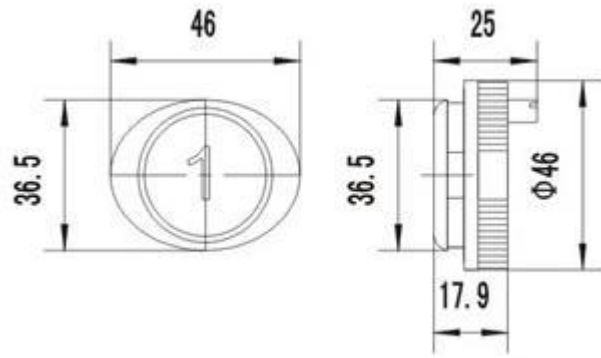


<b>Button Optional</b>	<b>Feature</b>
<ul style="list-style-type: none"><li>1) LED color: red LED,blue LED,yellow LED, other color LED</li><li>2) Braille: without braille,braille in button surface</li><li>3) Button surface: flat surface</li><li>4) Connection:wire connection</li><li>5) Voltage:DV24V,DC12V</li><li>6) Normal open,normal closed</li><li>7) Number and figure in buttons surface: 1,2,3...64,DOOR OPEN,DOOR CLOSE, ARROW UP,ARROW DOWN,ALARM,CALL, G,B,P,B1,etc</li></ul>	<ul style="list-style-type: none"><li>1) Button surface material:outer frame material is stainless steel,,button surface cover material is stainless steel</li><li>2) The thickness of installation plate:2-7mm</li><li>3) Installed by plastic clipping,very easy to install</li><li>4) Fire-proof components,in accordance with European standard EN-81</li><li>5) Life: more then 5 million of operation life</li><li>6) General use type,suitable for all elevator</li></ul>

**Circuit Diagram:**



**Figure Dimension:**



**Install Mounting Dimension:**

