

AK20 Series Elevator Push Buttons



Button Optional	Feature
<ul style="list-style-type: none"> 1) LED color: red LED,blue LED,yellow LED,other color LED 2) Braille: without braille 3) Button surface: concave mirror surface,flat stainless steel surface 4) Connection:wire connection 5) Voltage:DV24V,DC12V 6) Normal open,normal closed 7) No Number and figure in buttons surface 	<ul style="list-style-type: none"> 1) Button surface material:outer frame material is ABS,button surface cover material is stainless steel,mirror type button surface 2) The thickness of installation plate:2-7mm 3) Installed by plastic clipping 4) Fire-proof components,in accordance with European standard EN-81 5) Life: more then 5 million of operation life 6) Reference supplied for OTIS elevator

Web:www.elevator-buttons.com

Email:sales@elevator-buttons.com

Circuit Diagram:

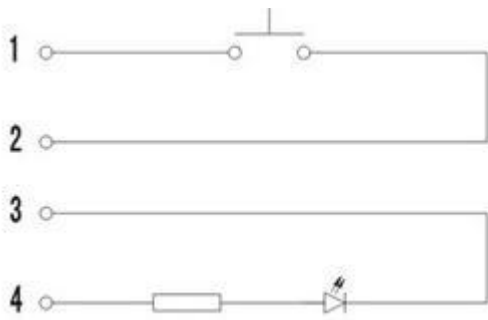
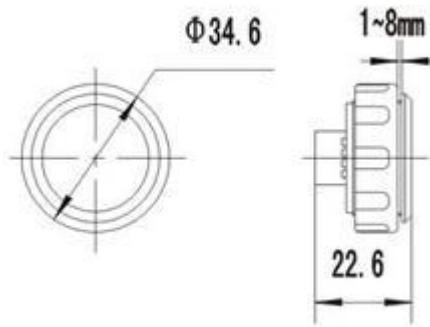


Figure Dimension:



Install Mounting Dimension:

