

## AK08 Series Elevator Push Buttons

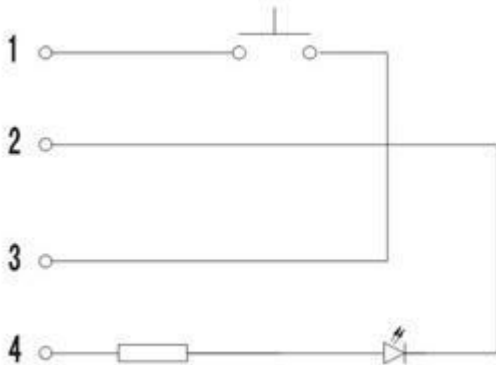


Button Optional	Feature
1) LED color: red LED,blue LED,yellow LED, other color LED 2) Braille: without braille in the button surface 3) Button surface: flat surface 4) Connection:wire connection 5) Voltage:DV24V,DC12V 6) Normal open,normal closed 7) Number and figure in buttons surface: 1,2,3...64,DOOR OPEN,DOOR CLOSE, ARROW UP,ARROW DOWN, ALARM, CALL, G,B,P,B1,etc	1) Button surface material:outer frame material and button surface cover material are all ABS 2) The thickness of installation plate:2-7mm 3) Installed by stainless steel clip sheet(we supply it with our button together) 4) Fire-proof components,in accordance with European standard EN-81 5) Life: more then 5 million of operation life 6) Reference supplied for HITACHI elevator

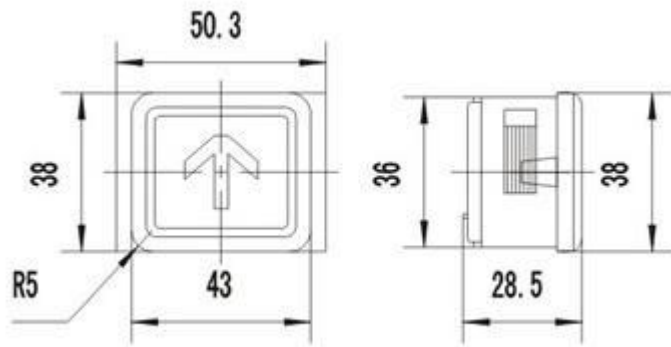
Web:[www.elevator-buttons.com](http://www.elevator-buttons.com)

Email:[sales@elevator-buttons.com](mailto:sales@elevator-buttons.com)

**Circuit Diagram:**



**Figure Dimension:**



**Install Mounting Dimension:**

