

AK08 Series Elevator Push Buttons



Button Optional	Feature
<ul style="list-style-type: none"> 1) LED color: red LED,blue LED,yellow LED,other color LED 2) Braille: without braille 3) Button surface: flat surface 4) Connection:wire connection 5) Voltage:DV24V,DC12V 6) Normal open,normal closed 7) Number and figure in buttons surface: 1,2,3...64,DOOR OPEN,DOOR CLOSE,ARROW UP,ARROW DOWN,ALARM,CALL,G,B,P,B1,etc 	<ul style="list-style-type: none"> 1) Button surface material:outer frame material is ABS with chrome plating,button surface cover material is stainless steel 2) The thickness of installation plate:2-3mm 3) Installed in panel with welded screw 4) Fire-proof components,in accordance with European standard EN-81 5) Life: more then 5 million of operation life 6) Reference supplied for XINDA elevator

Circuit Diagram:

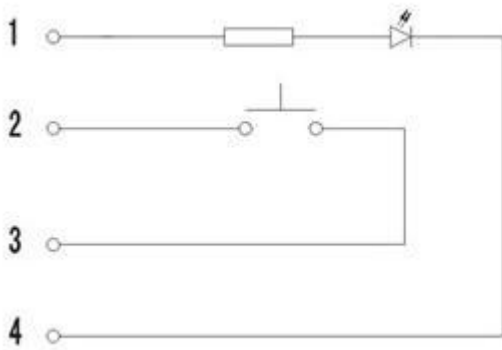
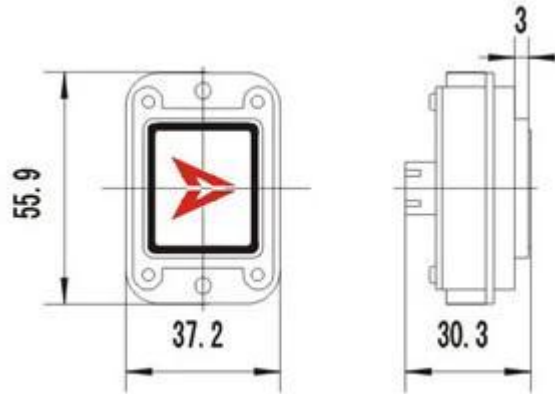


Figure Dimension:



Install Mounting Dimension:

