

AK04 Series Elevator Push Buttons



Button Optional	Feature
<ul style="list-style-type: none"> 1) LED color: red LED,blue LED,yellow LED, other color LED 2) Braille: without braille,braille in the button surface 3) Button surface: flat surface 4) Connection:wire connection,terminal connection 5) Voltage:DV24V,DC12V 6) Normal open,normal closed 7) Number and figure in buttons surface: 1,2,3...64,DOOR OPEN,DOOR CLOSE, ARROW UP,ARROW DOWN, ALARM, CALL, G,B,P,B1,etc 	<ul style="list-style-type: none"> 1) Button surface material:outer frame material is ABS,button surface cover material is stainless steel 2) The thickness of installation plate:2-3mm,7mm 3) Installed by plastic clipping 4) Fire-proof components,in accordance with European standard EN-81 5) Life: more then 5 million of operation life 6) General use type,suitable for all elevator

Circuit Diagram:

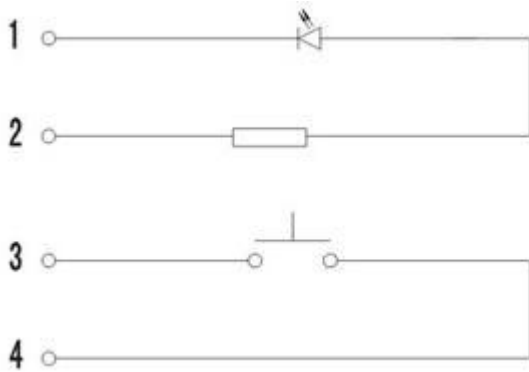
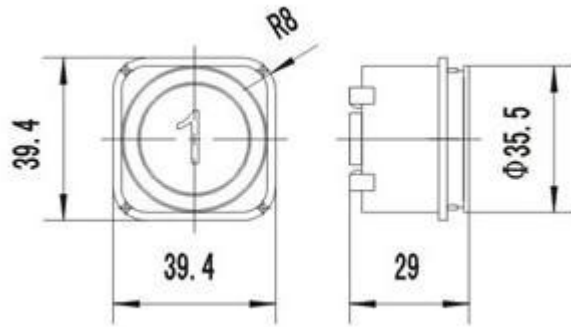


Figure Dimension:



Install Mounting Dimension:

